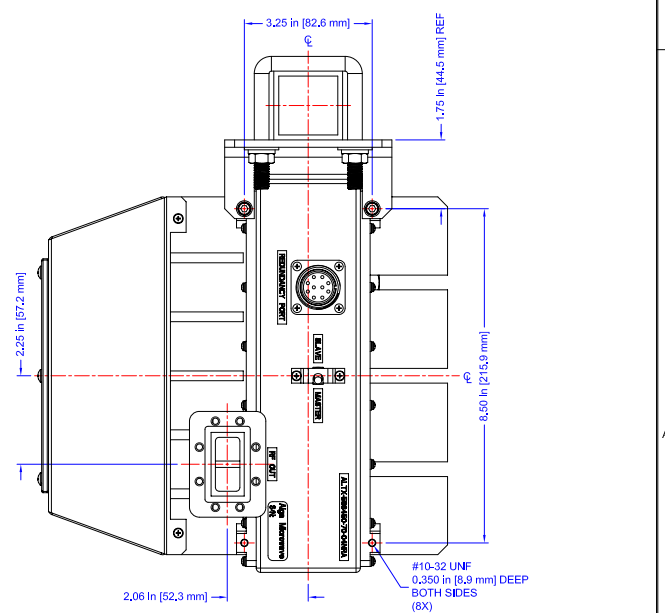
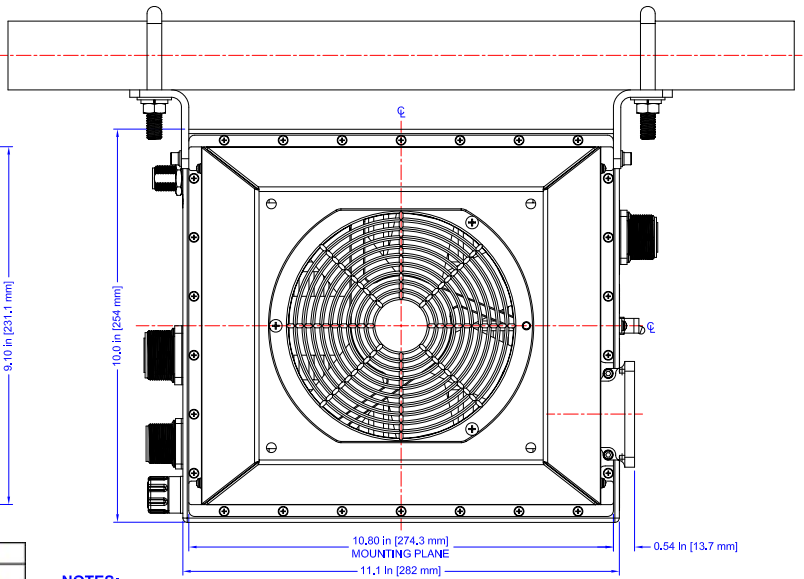
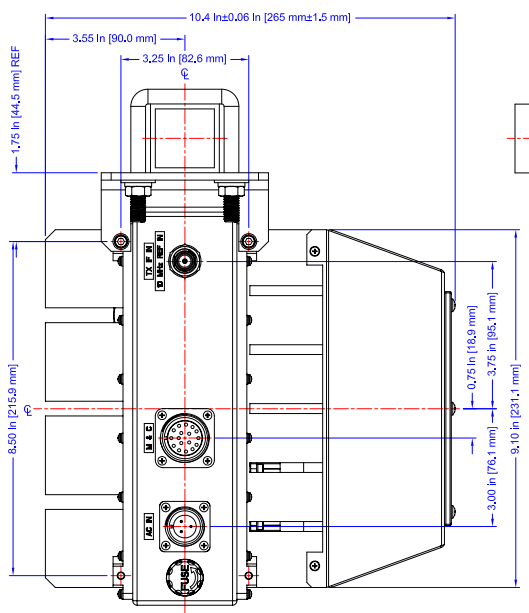
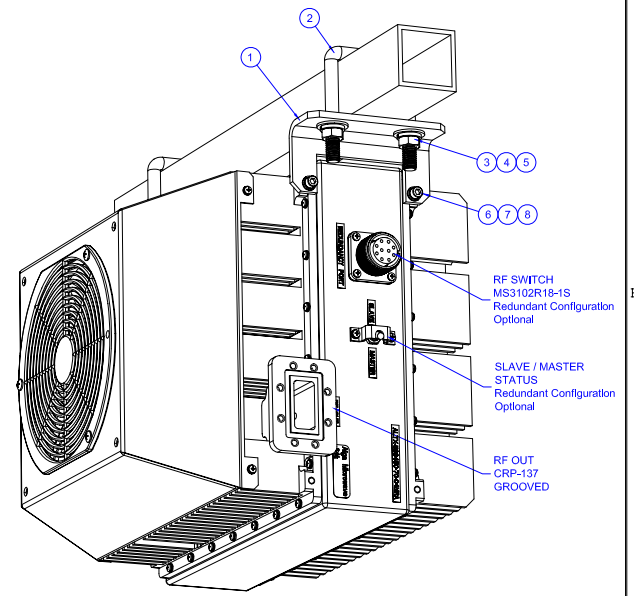
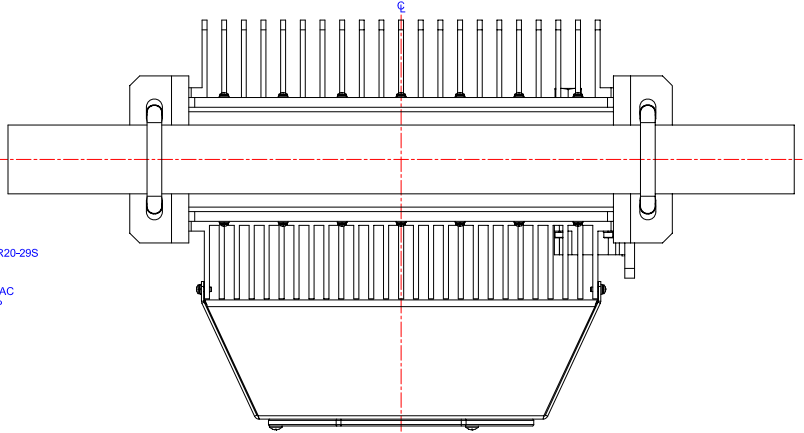
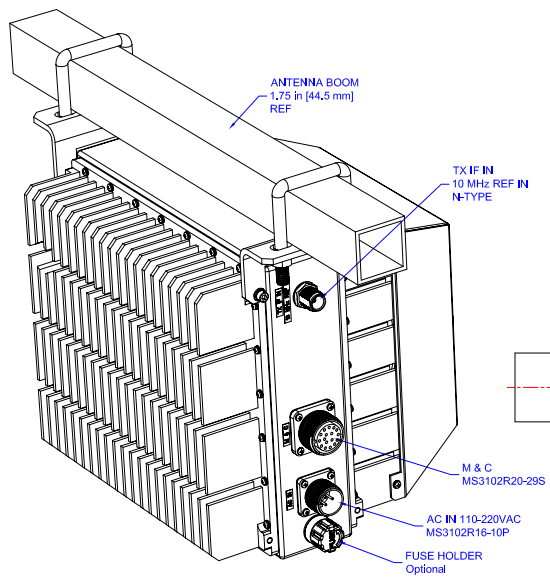


THIS INFORMATION DEVELOPED HEREIN HAS BEEN OBTAINED BY AND IS THE PROPERTY OF ALGA MICROWAVE AND IS STRICTLY FOR USE BY THE USER. IT IS NOT TO BE REPRODUCED, COPIED, OR TRANSMITTED IN ANY FORM OR BY ANY MEANS, ELECTRONIC OR MECHANICAL, INCLUDING PHOTOCOPYING, RECORDING, OR BY ANY INFORMATION STORAGE AND RETRIEVAL SYSTEM. WITHOUT PERMISSION IN WRITING FROM ALGA MICROWAVE, THIS DOCUMENT IS NOT TO BE REPRODUCED OR TRANSMITTED IN ANY FORM OR BY ANY MEANS, ELECTRONIC OR MECHANICAL, INCLUDING PHOTOCOPYING, RECORDING, OR BY ANY INFORMATION STORAGE AND RETRIEVAL SYSTEM.

Part Number	Description
ALTX-596450-70-04NRA	100W C-Band ODU Transmitter Redundant Interface With Attenuator
ALTX-596450-70-04N2A	100W C-Band ODU Transmitter Digital Interface With Attenuator
ALTX-596450-70-04N2	100W C-Band ODU Transmitter Digital Interface
ALTX-596450-70-04N1	100W C-Band ODU Transmitter Analog Interface
ALTX-596449-70-05NRA	80W C-Band ODU Transmitter Redundant Interface With Attenuator
ALTX-596449-70-05N2A	80W C-Band ODU Transmitter Digital Interface With Attenuator
ALTX-596449-70-05N2	80W C-Band ODU Transmitter Digital Interface
ALTX-596449-70-05N1	80W C-Band ODU Transmitter Analog Interface
ALTX-596448-70-04NRA	60W C-Band ODU Transmitter Redundant Interface With Attenuator
ALTX-596448-70-04N2A	60W C-Band ODU Transmitter Digital Interface With Attenuator
ALTX-596448-70-04N2	60W C-Band ODU Transmitter Digital Interface
ALTX-596448-70-04N1	60W C-Band ODU Transmitter Analog Interface

CONFIGURATION TABLE

REVISIONS			
REV. #	E.C.A.	DATE	APPROVED
A	INITIAL RELEASE	SEP 20 09	M.B.



Item	Part Number	Description	Qty
8	6011132-10	Cap Screw #10-32 UNF Hex Socket 5/8" Length SS	4
7	6100101	#10 Split Lock Washer	4
6	6100100	#10 Flat Washer Narrow	4
5	6090037	3/8-16 Hex Nut 18-8 SS	4
4	6090053	3/8 Lock Washer 18-8 SS	4
3	6090054	3/8 Flat Washer Narrow 18-8 SS	8
2	6090028	U-Bolt Square Bend Thread 3/8-16 W 2" L 3"	2
1	7500062	Bracket 10-125W C-Band ODU	2

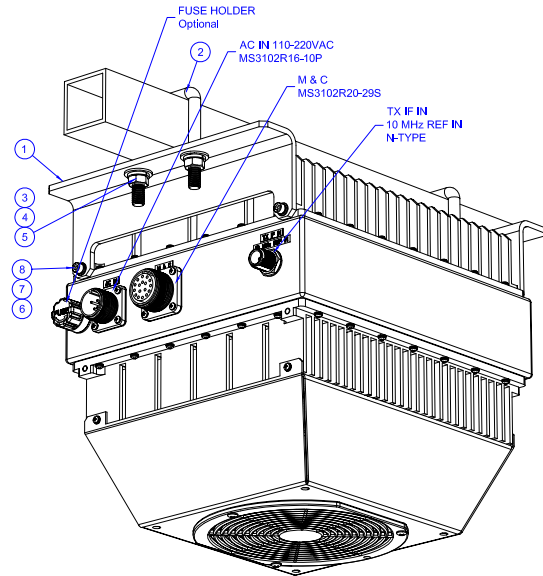
**MOUNTING KIT LIST OPTION A**

- NOTES:**
- SEE SPECIFICATIONS TS-ALTX-5964GG-PP-XXXX AS PER CONFIGURATION TABLE.  
\*SPECIFICATIONS ARE SUBJECT TO CHANGE WITHOUT NOTICE
  - UNITS COME WITH A CPR-137 RF GASKET AND #10-32 UNF HARDWARES FOR THE RF OUTPUT INTERFACE.
  - THE MOUNTING KIT IS OPTIONAL.  
THE MOUNTING KIT FOR THE REDUNDANT INTERFACE CONFIGURATION IS NOT SHOWN ON THIS DRAWING.  
SEE DRAWING OD-ALTX-596450-70-04NRA.

UNLESS OTHERWISE SPECIFIED TOLERANCES ARE IN INCHES		DEGREES 1°/30'	
DECIMALS	XX.XX	ANGLES	XX.X
FRACTIONS	XX/XX	RADIANS	XX.XXX
DO NOT SCALE DRAWING			
DRAWN: MBourgoin		SEP 20 09	
CHECKED: A.Y.	TITLE: 60 80 100W C-BAND TRANSMITTER OUTLINED DRAWING		
ENGR: M.B.	SIZE: A	CAGE CODE	DWG NO. OD-ALTX-596450-70-04NRA
APPROVED: A.Y.	SCALE: 1:5	SHEET 1 OF 2	

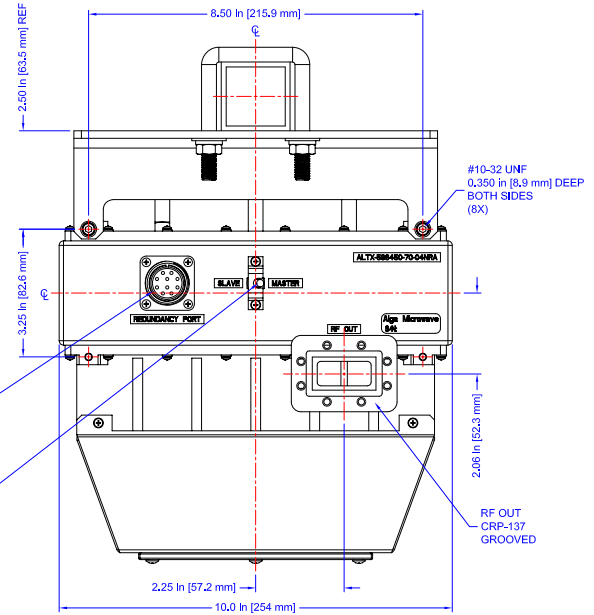
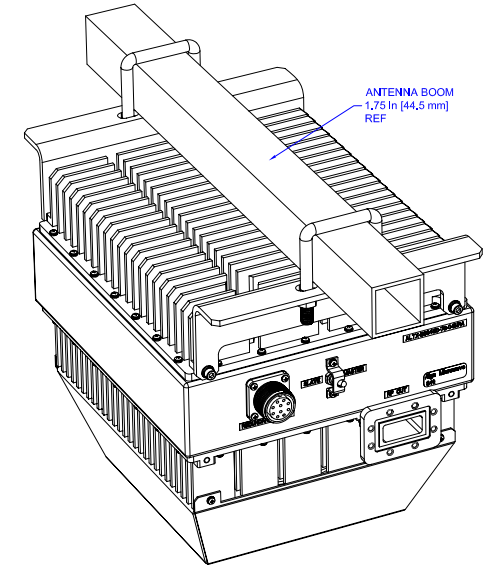
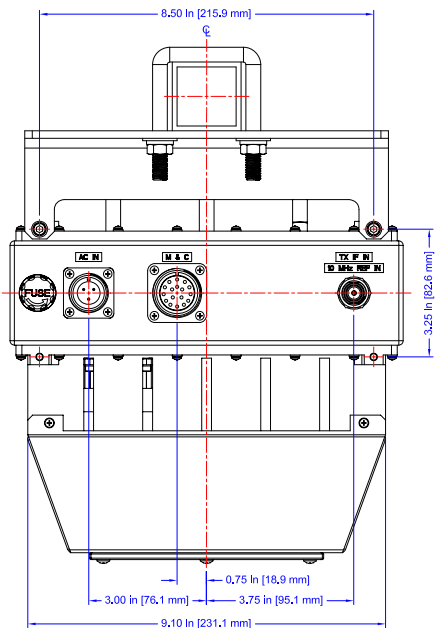
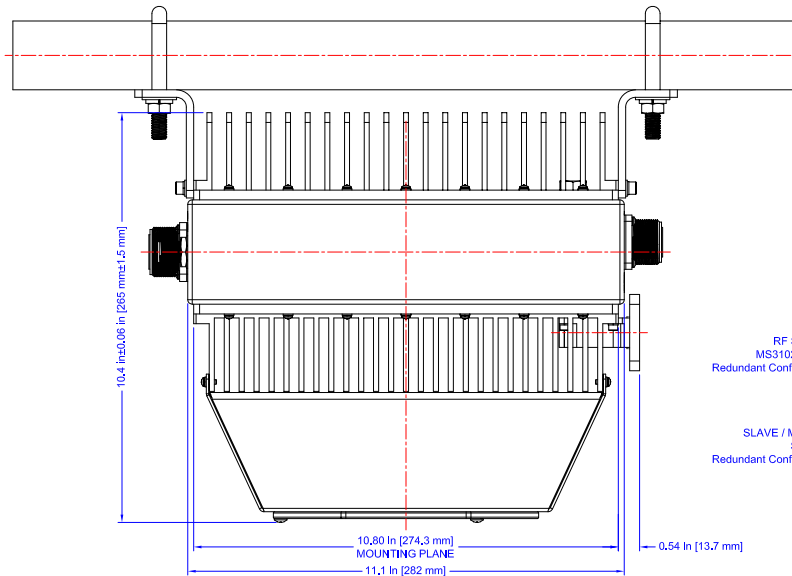
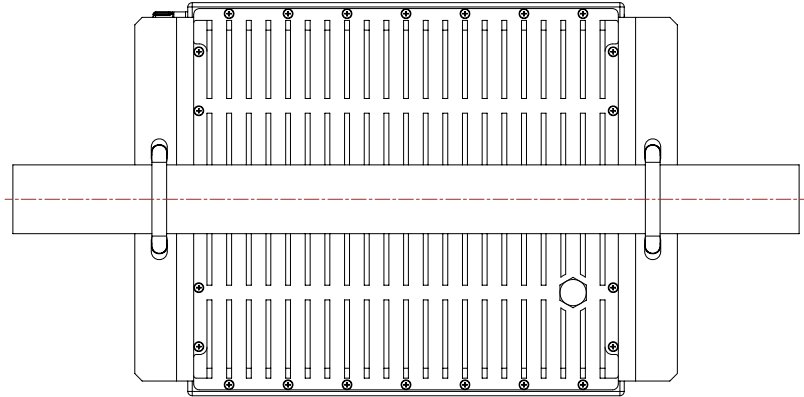
ALGA MICROWAVE  
2109, St-Regis; Dollard Des Ormeaux; QC H9B 2M9; CANADA  
Tel. 514-683-6113; FAX 514-683-3312; www.alga.ca

THIS INFORMATION IS UNCLASSIFIED EXCEPT WHERE SHOWN OTHERWISE AND IS THE PROPERTY OF ALGA MICROWAVE AND IS NOT TO BE REPRODUCED OR TRANSMITTED IN ANY FORM OR BY ANY MEANS, ELECTRONIC OR MECHANICAL, INCLUDING PHOTOCOPYING, RECORDING, OR BY ANY INFORMATION STORAGE AND RETRIEVAL SYSTEM. ANY REPRODUCTION OF THIS INFORMATION WITHOUT THE WRITTEN PERMISSION OF ALGA MICROWAVE IS PROHIBITED. THIS DOES NOT APPLY TO ANY VENDOR PARTS.



Item	Part Number	Description	Qty
8	601132-10	Cap Screw #10-32 UNF Hex Socket 5/8" Length SS	4
7	6100101	#10 Split Lock Washer	4
6	6100100	#10 Flat Washer Narrow	4
5	6090037	3/8-16 Hex Nut 18-8 SS	4
4	6090053	3/8 Lock Washer 18-8 SS	4
3	6090054	3/8 Flat Washer Narrow 18-8 SS	8
2	6090028	U-Bolt Square Bend Thread 3/8-16 W 2" L 3"	2
1	7500037-02	Mounting Bracket C-Band BUC	2

**MOUNTING KIT LIST OPTION B**



UNLESS OTHERWISE SPECIFIED  
DIMENSIONS ARE IN INCHES  
TOLERANCES ARE:  
DECIMALS .X ± 0.01 DEGREES ± 0°30'  
XXX.005 .XXX ± 0.001  
XXXX.000 .XXX ± 0.005  
DO NOT SCALE DRAWING

**ALGA MICROWAVE**  
2109, St-Regis, Dollard Des Ormeaux, QC H9B 2M9, CANADA  
Tel. 514-683-6113; FAX 514-683-3312; www.alga.ca

TITLE  
**60 80 100W C-BAND TRANSMITTER  
OUTLINED DRAWING**

SIZE A	CAGE CODE	DWG NO. OD-LTX-596450-70-04NRA	REV A
SCALE 1:5			SHEET 2 OF 2