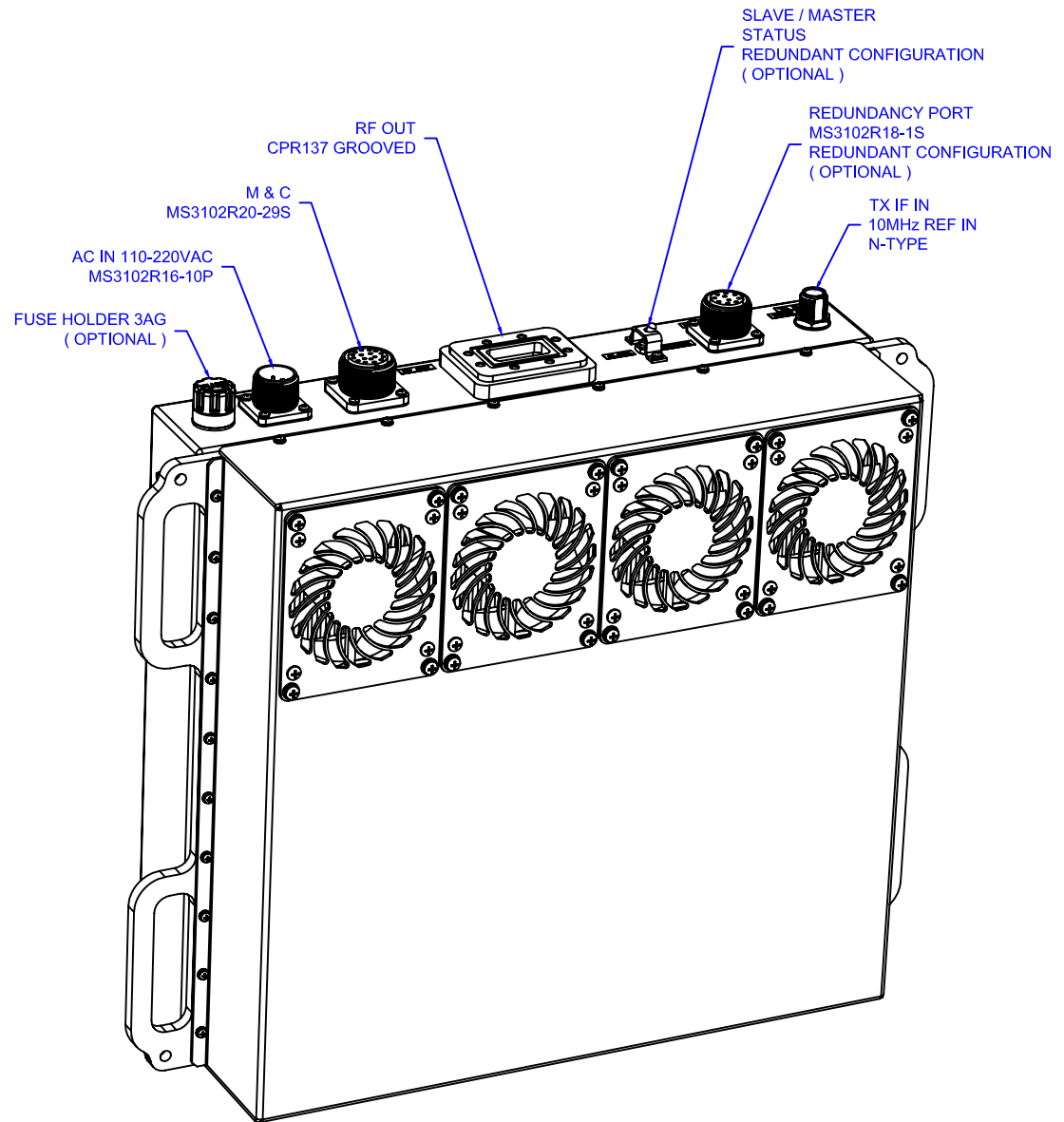
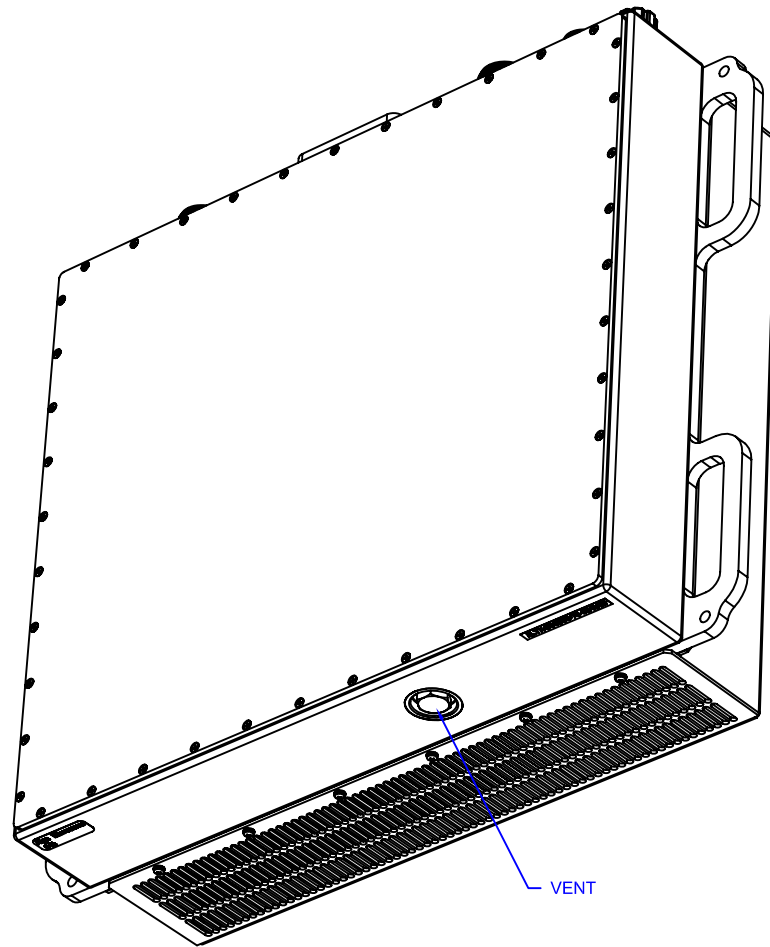


THIS INFORMATION IS UNCLASSIFIED AND IS THE PROPERTY OF ALGA MICROWAVE AND IS NOT TO BE REPRODUCED OR TRANSMITTED IN ANY FORM OR BY ANY MEANS, ELECTRONIC OR MECHANICAL, INCLUDING PHOTOCOPYING, RECORDING, OR BY ANY INFORMATION STORAGE AND RETRIEVAL SYSTEM. ALGA MICROWAVE RESERVES ALL PATENT, PROPRIETARY, OR OTHER RIGHTS. THIS DOCUMENT IS UNCLASSIFIED EXCEPT WHERE SHOWN OTHERWISE. THIS DOES NOT APPLY TO ANY VENDOR PARTS.

REVISIONS			
REV.	E.C.N.	DATE	APPROVED
A		Aug 24, 2011	M.B.
		INITIAL RELEASE	

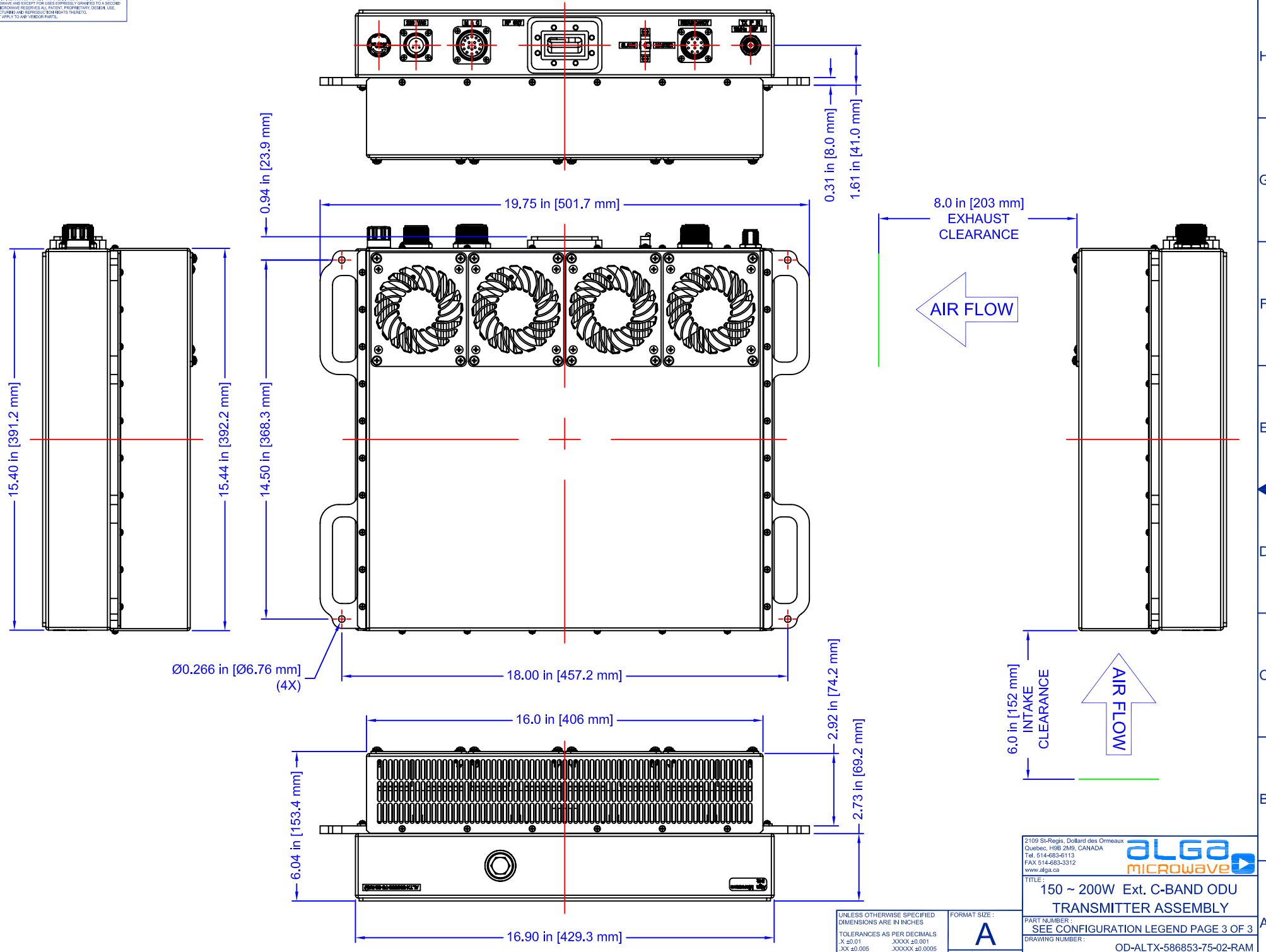


NOTES:

- SEE SPECIFICATIONS TS-ALTX-586853-75-02 AS PER CONFIGURATION LEGEND PAGE 3 OF 3.
*SPECIFICATIONS ARE SUBJECT TO CHANGE WITHOUT NOTICE
- UNITS COME WITH A CPR-137 RF GASKET AND #10-32 UNF HARDWARES FOR THE RF OUTPUT INTERFACE.
- THE MOUNTING KIT IS OPTIONNAL.
THE MOUNTING KIT FOR THE REDUNDANT INTERFACE CONFIGURATION IS NOT SHOWN ON THIS DRAWING.
SEE DRAWING OD-ALTX-586853-75-02-RAMS.

UNLESS OTHERWISE SPECIFIED DIMENSIONS ARE IN INCHES TOLERANCES AS PER DECIMALS .X ±0.01 .XXXX ±0.001 .XX ±0.005 .XXXXX ±0.0005 .XXX ±0.002 DEGREES ±0°30'	FORMAT SIZE: A	2109 St-Regis, Dollard des Ormeaux, Quebec, H9B 2M5, CANADA Tel: 514-683-6113 FAX: 514-683-3312 www.alga.ca	alga microwave
	DO NOT SCALE DRAWING DRAWN: M.Sobol CHECKED: M.B. ENGINEERED: M.B. / A.K. APPROVED: A.Y.	DATE: Aug 24, 2011	
		PART NUMBER: SEE CONFIGURATION LEGEND PAGE 3 OF 3	
		DRAWING NUMBER: OD-ALTX-586853-75-02-RAM	
		GAGE CODE:	SCALE: 1:4 SHEET: 1 OF 3

THE INFORMATION DISCLOSED HEREIN WAS OBTAINED BY AND IS THE PROPERTY OF ALGA MICROWAVE AND IS NOT TO BE DISCLOSED TO ANY OTHER PARTY. ALGA MICROWAVE RESERVES ALL PATENT, PROPRIETARY, DESIGN USE, TRADE MARK AND REPRODUCTION RIGHTS THEREIN. THIS DOES NOT APPLY TO ANY VENDOR PARTS.



UNLESS OTHERWISE SPECIFIED
DIMENSIONS ARE IN INCHES
TOLERANCES AS PER DECIMALS
X ±0.01 XXXX ±0.001
.XX ±0.005 XXXXX ±0.0005
.XXX ±0.002 DEGREES ±0'30"
DO NOT SCALE DRAWING

FORMAT SIZE :
A

2109 St-Regis, Dollard des Ormeaux
Quebec, H9B 2M5, CANADA
Tel: 514-683-6113
FAX: 514-683-3312
www.alga.ca

alga
microwave

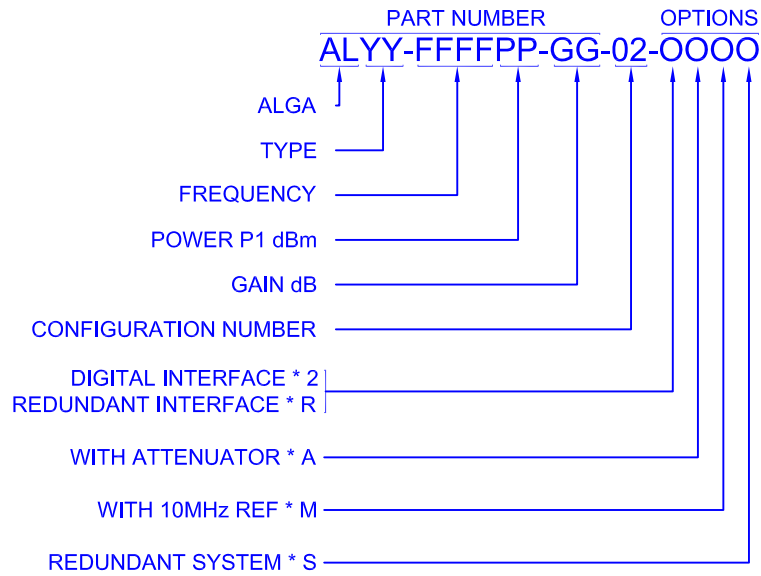
TITLE:
**150 ~ 200W Ext. C-BAND ODU
TRANSMITTER ASSEMBLY**

PART NUMBER:
SEE CONFIGURATION LEGEND PAGE 3 OF 3

DRAWING NUMBER:
OD-ALTx-586853-75-02-RAM

LATEST REV.:
SCALE: 1:5 SHEET: 2 OF 3

THIS INFORMATION IS UNCLASSIFIED AND IS THE PROPERTY OF ALGA MICROWAVE AND IS NOT TO BE REPRODUCED OR TRANSMITTED IN ANY FORM OR BY ANY MEANS, ELECTRONIC OR MECHANICAL, INCLUDING PHOTOCOPYING, RECORDING, OR BY ANY INFORMATION STORAGE AND RETRIEVAL SYSTEM. ALGA MICROWAVE RECEIVES ALL PATENT, PROPRIETARY, DESIGN, TRADE, MANUFACTURING AND REPRODUCTION RIGHTS THEREIN. THIS DOES NOT APPLY TO ANY VENDOR PARTS.



TYPE:
PA - POWER AMPLIFIER
TX - TRANSMITTER

FREQUENCY:
5964 - C BAND 5.85 - 6.425 GHz
5868 - EXTENDED C BAND 5.85 - 6.825 GHz

POWER P1 dBm
52dBm - 150Watts [@ Psat 53dBm - 200Watts]
53dBm - 200Watts [@ Psat 54dBm - 250Watts]

GAIN dB
75dB Nominal

WAVEGUIDE FREQUENCY RANGE:

- R BAND - WR-430 - 1.70 to 2.60 GHz
- D BAND - WR-340 - 2.20 to 3.30 GHz
- S BAND - WR-284 - 2.60 to 3.95 GHz
- E BAND - WR-229 - 3.30 to 4.90 GHz
- G BAND - WR-187 - 3.95 to 5.85 GHz
- F BAND - WR-159 - 4.90 to 7.05 GHz
- C BAND - WR-137 - 5.85 to 8.20 GHz
- H BAND - WR-112 - 7.05 to 10.10 GHz
- X BAND - WR-90 - 8.2 to 12.4 GHz
- Ku BAND - WR-75 - 10.0 to 15.0 GHz
- Ku BAND - WR-62 - 12.4 to 18.0 GHz
- K BAND - WR-51 - 15.0 to 22.0 GHz
- K BAND - WR-42 - 18.0 to 26.5 GHz
- Ka BAND - WR-28 - 26.5 to 40.0 GHz
- Q BAND - WR-22 - 33 to 50 GHz
- U BAND - WR-19 - 40 to 60 GHz
- V BAND - WR-15 - 50 to 75 GHz
- W BAND - WR-10 - 75 to 110 GHz
- F' BAND - WR-8 - 90 to 140 GHz
- D' BAND - WR-6 - 110 to 170 GHz
- G' BAND - WR-5 - 140 to 220 GHz
- G' BAND - WR-4 - 170 to 260 GHz
- G' BAND - WR-3 - 220 to 325 GHz
- Y BAND - WR-2 - 325 to 500 GHz
- Y BAND - WR-1.5 - 500 to 750 GHz
- Y BAND - WR-1 - 750 to 1100 GHz

IEEE US FREQUENCY RANGE:

- L BAND 1 to 2 GHz
- S BAND 2 to 4 GHz
- C BAND 4 to 8 GHz
- X BAND 8 to 12 GHz
- Ku BAND 12 to 18 GHz
- K BAND 18 to 27 GHz
- Ka BAND 27 to 40 GHz
- V BAND 40 to 75 GHz
- W BAND 75 to 110 GHz
- mm BAND 110 to 300 GHz

2109 St-Regis, Dollard des Ormeaux
Quebec, H9B 2M5, CANADA
Tel: 514-683-6113
FAX: 514-683-3312
www.alga.ca

TITLE:
**150 ~ 200W Ext. C-BAND ODU
TRANSMITTER ASSEMBLY**

UNLESS OTHERWISE SPECIFIED
DIMENSIONS ARE IN INCHES
TOLERANCES AS PER DECIMALS
X ±0.01
.XX ±0.005
.XXX ±0.002
DO NOT SCALE DRAWING

FORMAT SIZE :
A

PART NUMBER: CONFIGURATION LEGEND
DRAWING NUMBER: OD-ALT-586853-75-02-RAM
LATEST REV.: A SCALE: N/A SHEET: 3 OF 3